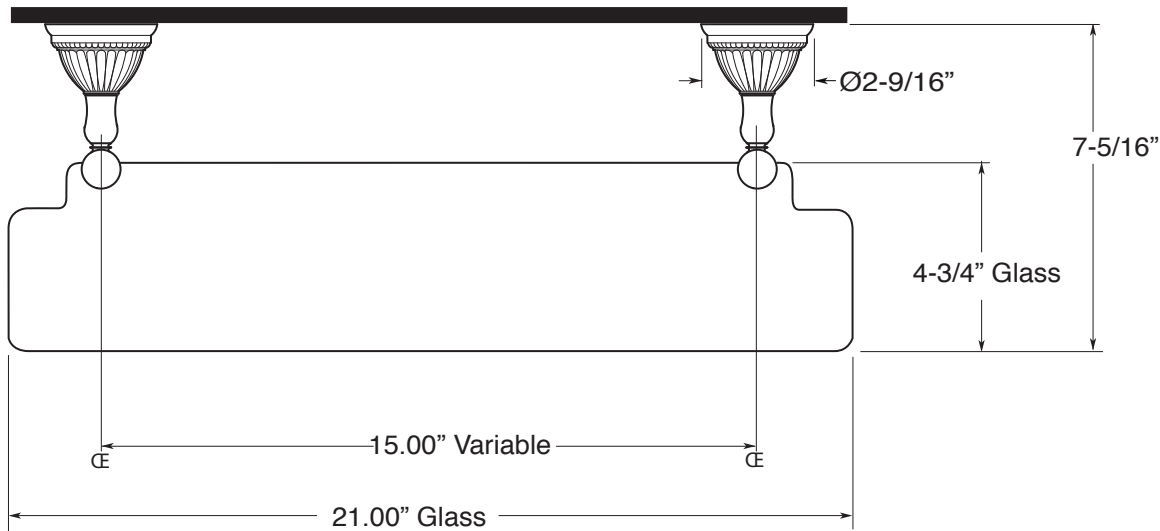


**FEATURES:**

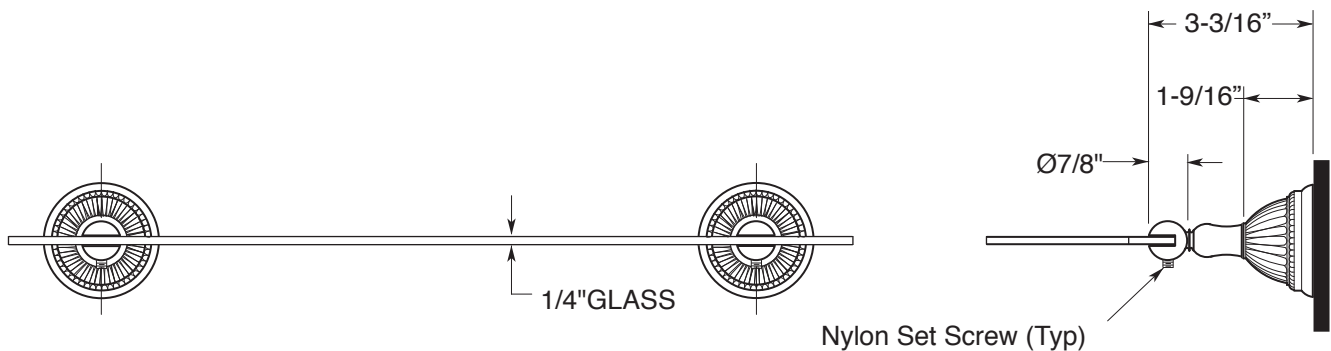
- All brass construction with 1/4" thick glass shelf.
- Replacement glass shelf P/N: 18.18.024
- Available in all Sigma finishes. Warranty varies according to finish selection.
- Mounting brackets and screws are supplied.

## Accessories

Series 66  
Accessory Shelf  
1.66AS00



**TOP VIEW**



**FRONT VIEW**

**SIDE VIEW**

Note: Measurements are subject to change or cancellation. No responsibility is assumed for use of superseded or voided pages.