



**On Sale**

**BC 09**

CUBE COLLECTION

**Design** Wetstyle Design Lab

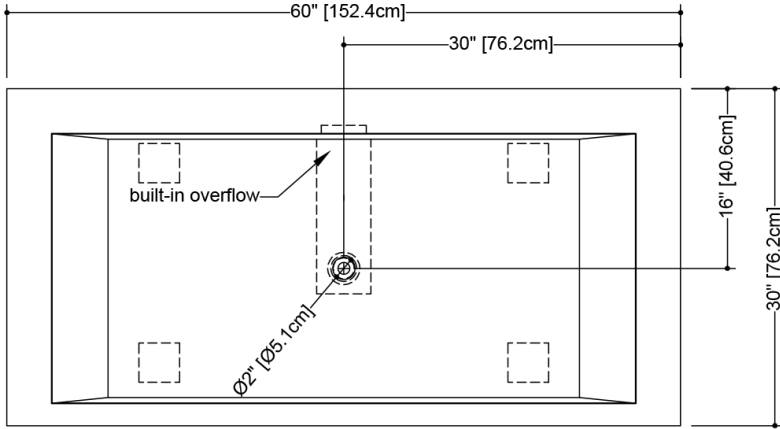


## FEATURES

- Handcrafted in Montreal, Canada
- Integrated overflow
- Soft toe touch drain
- Plug & Bathe drain connection for quick install
- Wood bridge in Wenge shade included




## TECHNICAL DETAILS

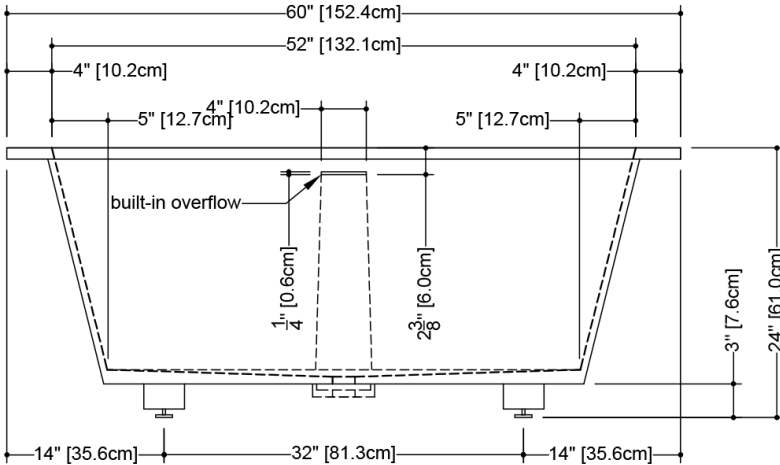
- **Width:** 30"
- **Length:** 60"
- **Height:** 24"
- **Weight:** 199 lbs / 90 kg



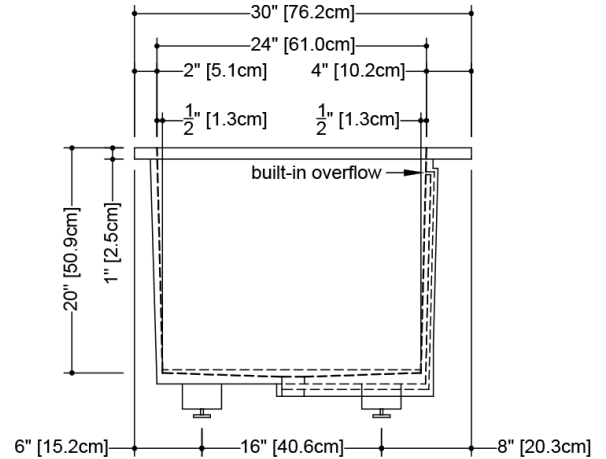
plan view

WETSTYLE Plug & Bathe™ overflow and drain connection system includes:

-  Soft-touch pop-up drain, for built-in overflow. Fits both 1-1/2" ABS drain waste and 1-1/2" tubular brass
-  1-1/2" ABS Direct vertical drain waste fitting (copper/brass option also available)
-  1-1/2" ABS 90° Elbow drain waste fitting (copper/brass option also available)



front view

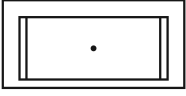


side view

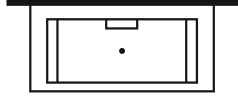
**BC 09**

WETSTYLE cannot be held responsible for any technical errors and reserves the right to make revisions without notice. Approximate measurement. The manufacturer accepts 1/4" (6.35mm) variance.

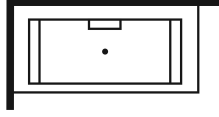
## AVAILABLE CONFIGURATIONS



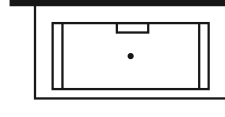
BC0901 - Drop-in



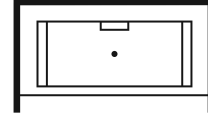
BC0902 - Drop-in -  
Back Wall



BC0904 - Drop-in -  
Left and Back Walls



BC0905 - Drop-in -  
Right and Back Walls



BC0906 - Drop-in -  
Three Wall Alcove

## OPTIONS

### Model

- BC0901 - Drop-in
- BC0902 - Drop-in - Back Wall
- BC0904 - Drop-in - Left and Back Walls
- BC0905 - Drop-in - Right and Back Walls
- BC0906 - Drop-in - Three Wall Alcove

### Drain Overflow Trim Finish

- Brushed Nickel Drain - No Trim Overflow (#BNNT)
- Brushed Nickel Drain and Overflow (#BN)
- Matte Black Drain - No Trim Overflow (#MBNT)
- Matte Black Drain and Overflow (#MB)
- Polished Chrome Drain - No Trim Overflow (#PCNT)
- Polished Chrome Drain and Overflow (#PC)
- Satin Brass Drain - No Trim Overflow (#SBNT)
- Satin Brass Drain and Overflow (#SB)

### WETMAR BiO Finish

- White Matte (#MA)
- White True High Gloss (#GA)

### Plumbing Connection

- Copper/Brass Connection - local code dependant (#COP)
- Standard ABS Connection

## CODES/STANDARDS APPLICABLES

IAPMO-ANSI Z124.1  
IAPMO-ANSI Z124.3  
CSA B 45.0  
CSA B 45.4  
Mass Board Approved

## NOTES

**OPTIONAL WHITE TRAP ACCESS** (for deck-mounted faucet installation) is available on freestanding model by special order.

**IMPORTANT - BATHTUB INSTALLATION SUPPLIES:** A 1/4" tile flange will be supplied to comply with the requested position. Installed at the factory to prevent water leakage, this must be placed directly on the partition framing prior to the installation of drywall.